

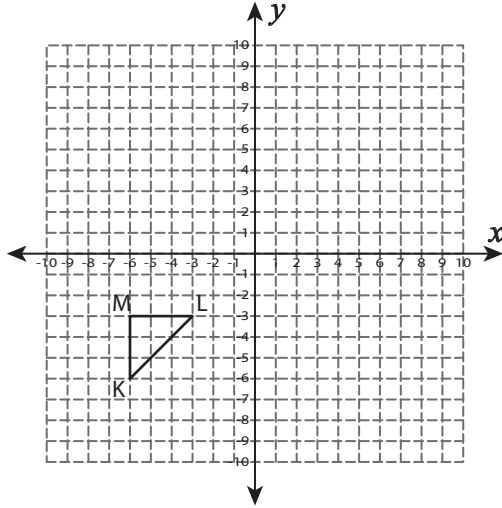
Name : _____

Dilate the Shapes

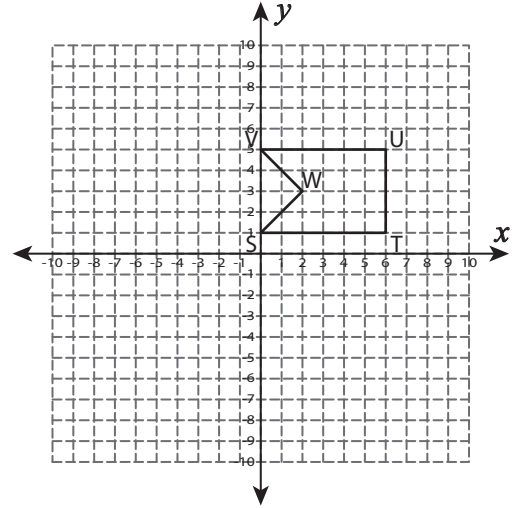
Sheet 1

Draw the dilated image with the given center and scale factor (k).

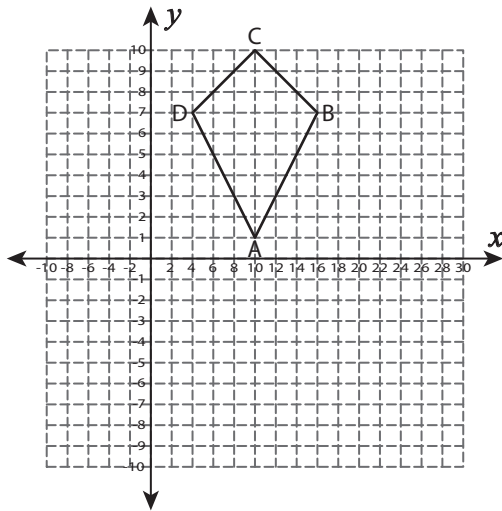
1) center : $(-3, 0)$, $k = \frac{4}{3}$



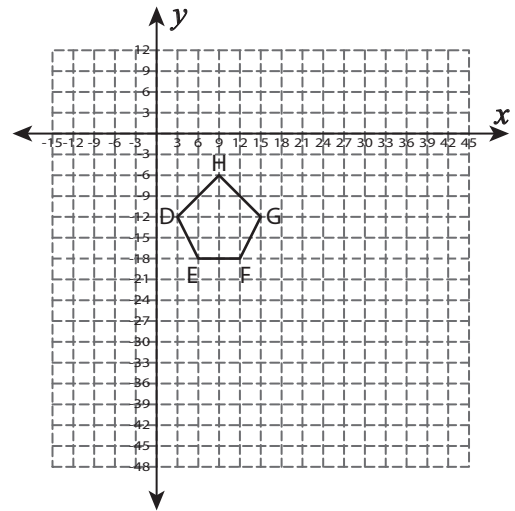
2) center : $(2, 1)$, $k = \frac{1}{2}$



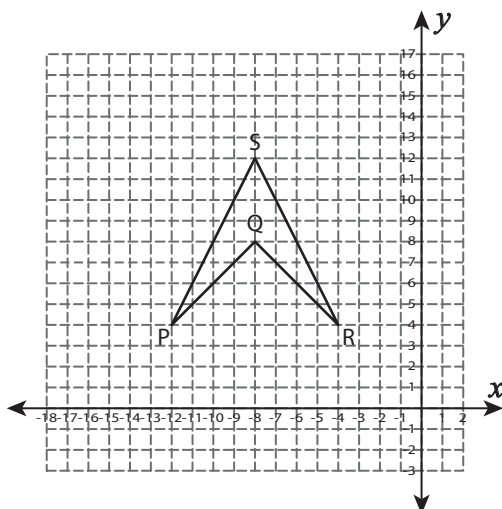
3) center : $(10, 4)$, $k = \frac{2}{3}$



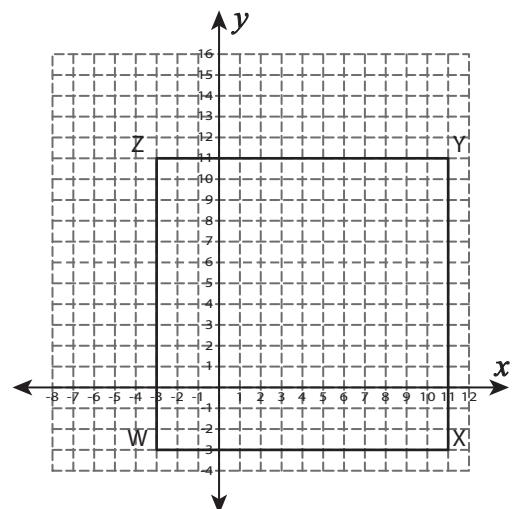
4) center : $(9, -12)$, $k = 4$



5) center : $(-4, 8)$, $k = 1.25$



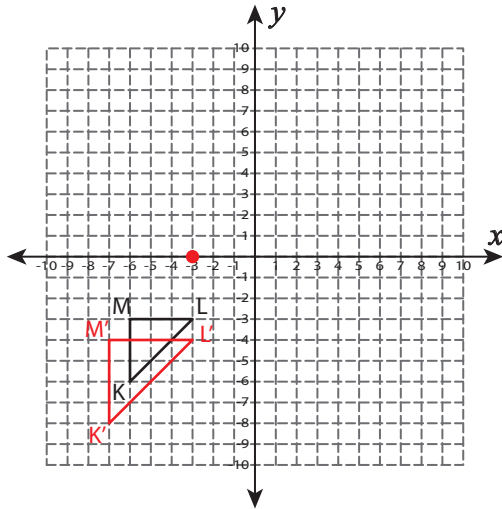
6) center : $(-3, -3)$, $k = \frac{3}{7}$



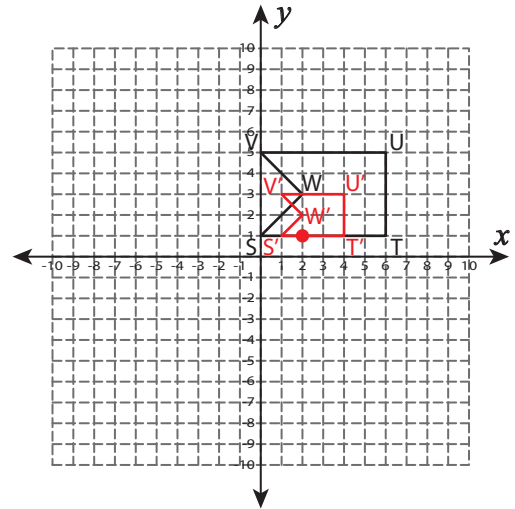
Dilate the Shapes

Draw the dilated image with the given center and scale factor (k).

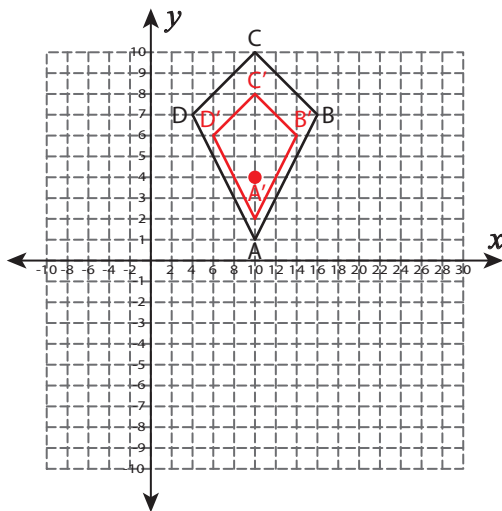
1) center : $(-3, 0)$, $k = \frac{4}{3}$



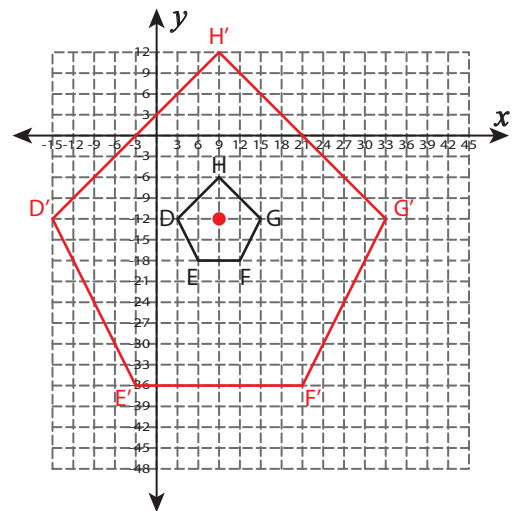
2) center : $(2, 1)$, $k = \frac{1}{2}$



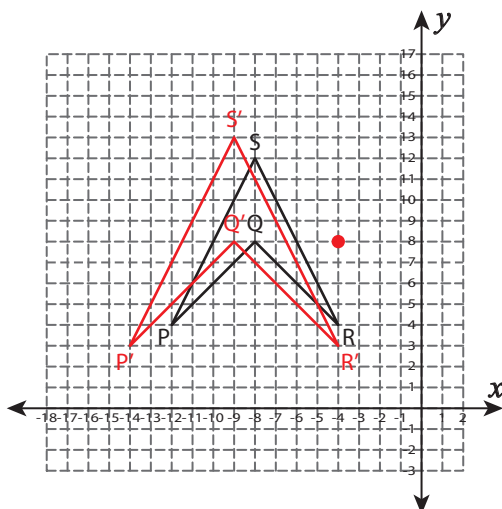
3) center : $(10, 4)$, $k = \frac{2}{3}$



4) center : $(9, -12)$, $k = 4$



5) center : $(-4, 8)$, $k = 1.25$



6) center : $(-3, -3)$, $k = \frac{3}{7}$

